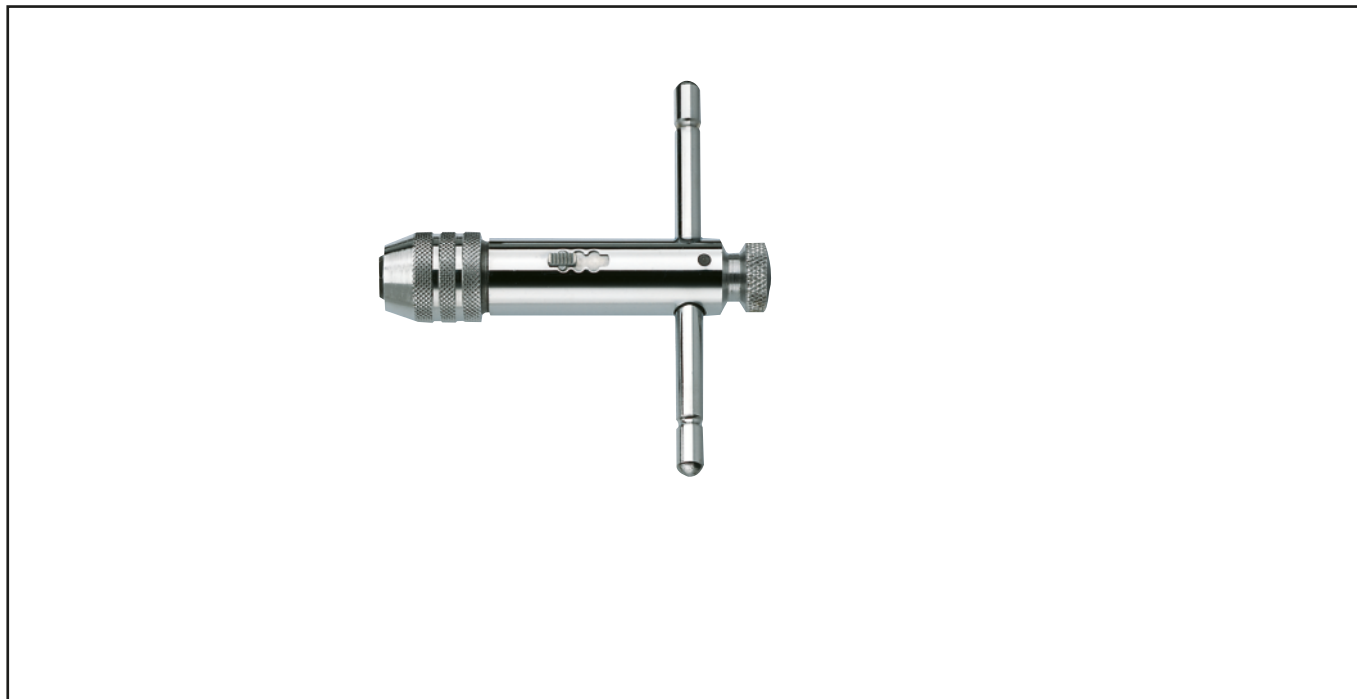


T-HANDLE TAP WRENCH Réf.: 40061

Characteristics

With ratchet, full chromium plating, all steel quality



Product data

L mm	l mm	DIN	ISO	g	G	Artikelnr.	On card	On card				
								EAN Code	Artikelnr.	EAN Code	EAN Code	
85	1,0 - 2,6	M1 - 2,6	M1 - 2,6	190		40054	1	4012929400546				
85	2,0 - 5,0	M3 - 8	M1 - 6	190	E	40064	1	4012929400645	40061	1	4012929400614	
110	4,6 - 8,0	M5 - 12	M6 - 12	320		40074	1	4012929400744	40071	1	4012929400713	



NOVALIA SAS 2 rue de Bergognon 42500 LE CHAMBON F.
FRANCE - www.novalia.pro

PEDDINGHAUS Handwerkzeuge In der Graslake 35
58332 Schwelm DEUTSCHLAND - www.peddinghaus.de

NOVALIA SA Str. Narciselor nr.50 500251 - Braşov ROMÂNIA
www.mob-ius.ro

NOVALIA ESPAÑA Portuete 51, of.204 20018 San Sebastián