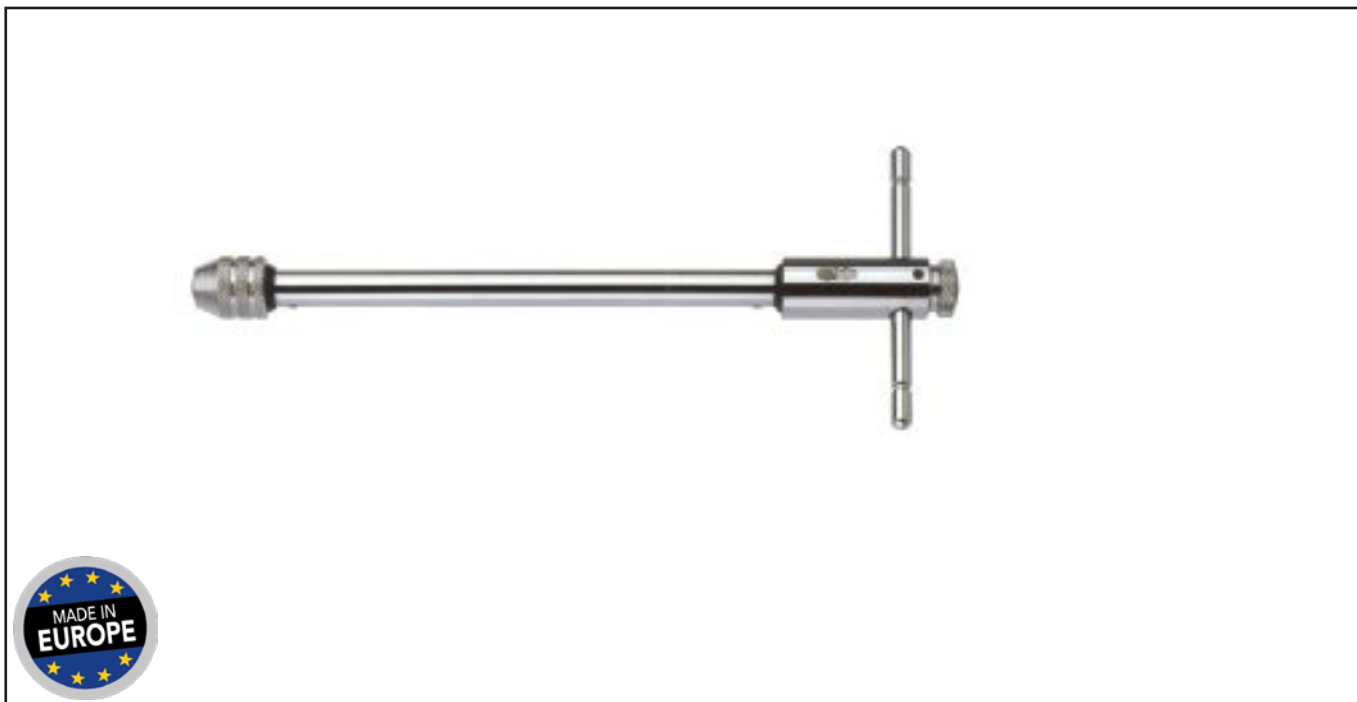


TAP WRENCH RATCHET TOOL LONG Réf.: 40091

Characteristics

Convenient for tapping in hard-to-reach places instead of a conventional tap wrench. Also used for extracting screws or broken studs or even bits thanks to its innovative chuck for combined square and hexagonal tightening. 1/4. 3 ratchet positions: tightening, loosening, fixed. Removable pin, can be used in T or L. Chrome, all steel. Opening 4.6-8 - DIN: M5-12 - ISO: M6-12 - 300mm.



Product data

L mm	 g	G	Artikelnr.		EAN Code
300	440	E	40091	1	3303809400911



NOVALIA SAS 2 rue de Bergognon 42500 LE CHAMBON F.
FRANCE - www.novalia.pro

PEDDINGHAUS Handwerkzeuge In der Graslake 35
58332 Schwelm DEUTSCHLAND - www.peddinghaus.de

NOVALIA SA Str. Narciselor nr.50 500251 - Braşov ROMÂNIA
www.mob-ius.ro

NOVALIA ESPAÑA Portuetxe 51, of.204 20018 San Sebastián