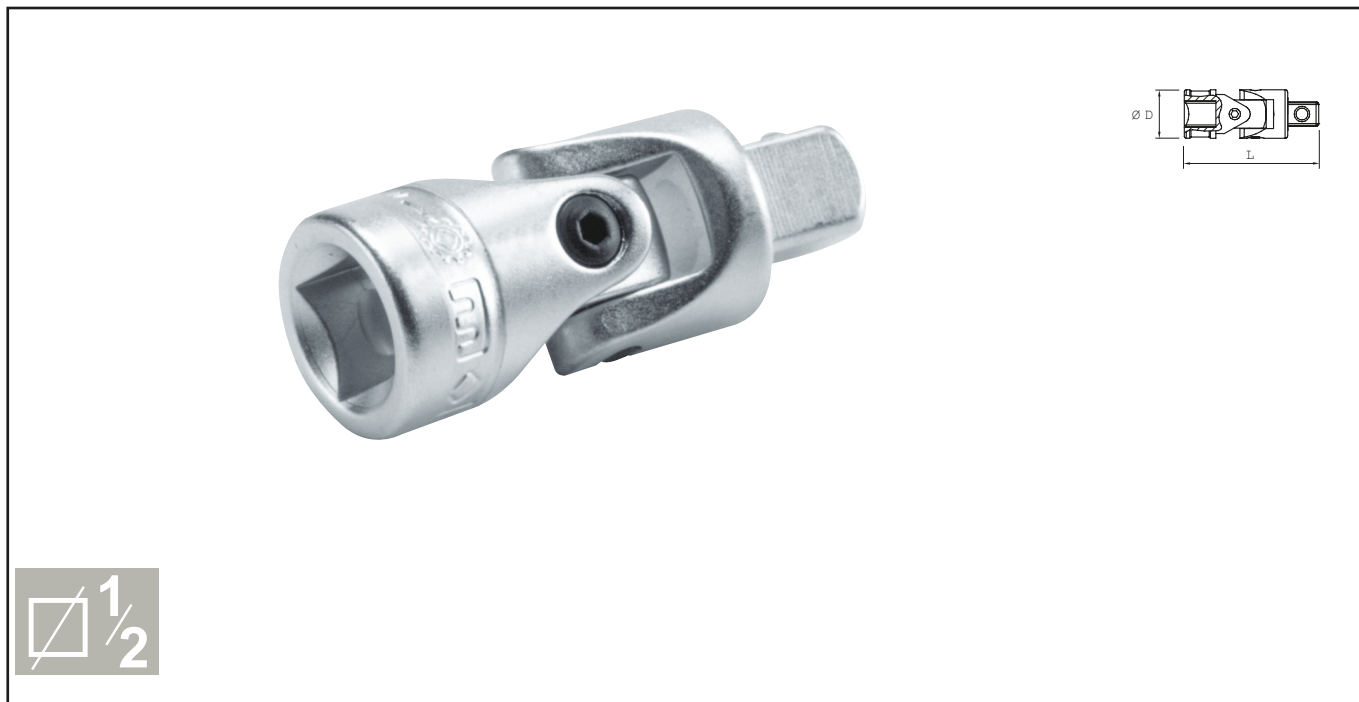


## UNIVERSAL JOINT 1/2" Réf.: 925200001

### Characteristics

Transmits torque at an angle, to suit all situations. Braking joint to keep the angle. **RESISTANCE:** The removal of sharp corners of squares increases their resistance. Wrought shot. Manufactured in Chrome-Vanadium steel, the best material for the manufacture of sockets and accessories. **Hardness:** from 40 to 46 Hrc. Optimum hardness / longevity ratio. Mounted with a plunger «lock pin»: to secure the sleeve of the element (socket, ratchet).



### Product data

L mm	ØD mm	 g	G	Artikelnr.		EAN Code	On card	EAN Code
70	25	139	E	925200001	1	3303809252005	9252001001	3303809252012



**NOVALIA SAS** 2 rue de Bergognon 42500 LE CHAMBON F.  
FRANCE - [www.novalia.pro](http://www.novalia.pro)

**PEDDINGHAUS** Handwerkzeuge In der Graslake 35  
58332 Schwelm DEUTSCHLAND - [www.peddinghaus.de](http://www.peddinghaus.de)

**NOVALIA SA** Str. Narciselor nr.50 500251 - Braşov ROMÂNIA  
[www.mob-ius.ro](http://www.mob-ius.ro)

**NOVALIA ESPAÑA** Portuetxe 51, of.204 20018 San Sebastián